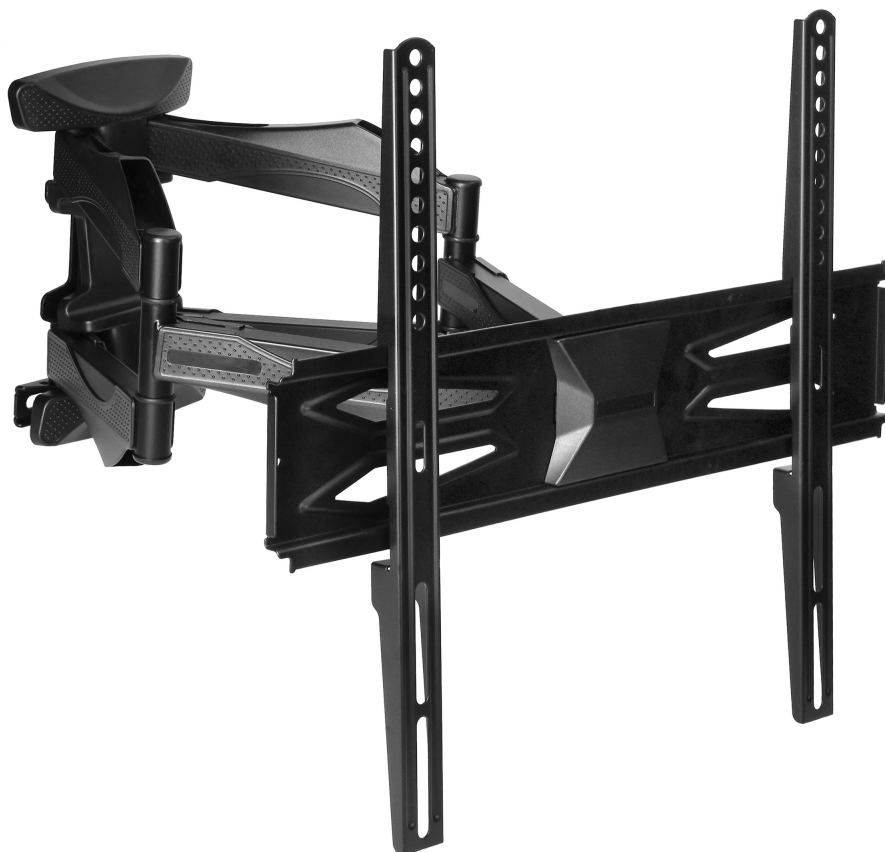


Full motion TV wall mount, 32"^{MIN}–60"^{MAX}

Marka: **Virone** | Symbol: **MH-3** | Ean: **5904988907359**

VIRONE

PRODUCT DESCRIPTION

With the VIRONE bracket, you can successfully mount a TV or monitor with a diagonal between 32" and 60" and weighing up to 30 kg on the wall.

This solution allows you to mount your TV easily and securely and saves space - you no longer need stands or tables. Enjoy your equipment without worrying that it will accidentally be knocked down, fall over or be damaged by unstable mounting.

In addition, the arm of the mount makes it easy to adjust the angle of the TV from -12° to $+2^{\circ}$ and to correct the tilt of the screen by $\pm 3^{\circ}$ and to compensate for any mounting errors. Furthermore, the swivel adjustment for this bracket model is approximately 45° .

The swivel arm also allows us to choose the distance of the TV from the wall that suits us - from 56 mm to as much as 465 mm. The swivel wall mount is compatible with VESA standards in the range 200x100 to 400x400 mm, so within the standard: VESA 200x100 - hole spacing 200 x 100 mm, VESA 200 - hole spacing 200 x 200 mm, VESA 300x200 - hole spacing 300 x 200 mm, VESA 300 - hole spacing 300 x 300 mm, VESA 400x200 - hole spacing 400 x 200 mm, VESA 400 - hole spacing 400 x 400 mm.

The product is made of powder-coated steel and is available in black.

TECHNICAL DATA

General information:

Suitable for:	Telewizor
Mounting method:	Ściana
Pivoting range [°]:	3
Angle of inclination [°]:	2/-12
Load bearing capacity [kg]:	30
Mounting Interface Standard (MIS) according to VESA:	400x400
Colour:	Czarny

